

**(G)QJB Series
Submersible Mixer
Low-speed-flow Submersible Agitator**



DESCRIPTION

QJB submersible mixer applies to deal with city sewage and industrial sewage in environmental project: mixing sewage, waste water and sludge water, thickening process, sludge dewatering process, optimization of heat transfer, sewage pool clean, preventing the particles condensation and precipitation in the bottom and wall of the pool, removing suspended solids, creating flow.

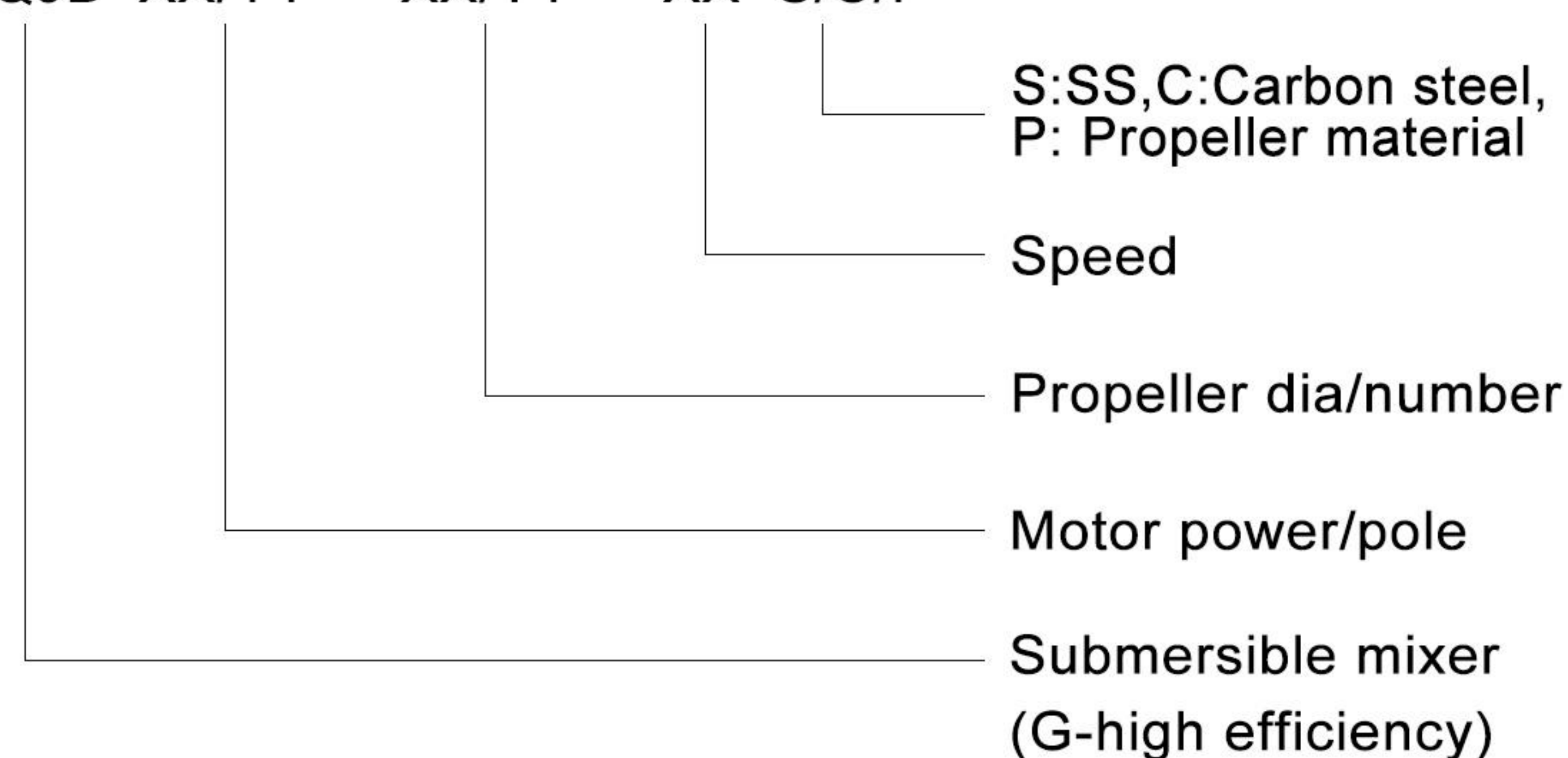
It has mixing and low-speed-flow two series.

Mixing series is used for mixing waste water containing suspended solids in the process of municipal and industrial sewage treatment. Low-speed-flow two series is used for producing water flow in the process of municipal and industrial sewage treatment.

GQJB series submersible mixer has improved and changed high efficiency and permanent magnet motor on basis of normal QJB submersible mixer, this motor could extend motor working time and lifetime. this high efficiency motor also could be up to European II energy efficiency standard, which could save energy of 15-30% compared with normal motor. it's very convenient that this high efficiency motor has the same dimension as normal one, so it's could replace it at any time.

MODEL DESCRIPTION

(G)QJB XX/YY - XX/YY - XX S/C/P



RANGE OF USE AND SERVICE CONDITION

- 1.The max medium temp. shall not exceed 40°C
- 2.PH value of medium is in the range 5-9
- 3.The liquid density shall not exceed 1150kg/m³
- 4.Long-term submersible operation, the submersible depth shall not exceed 20m

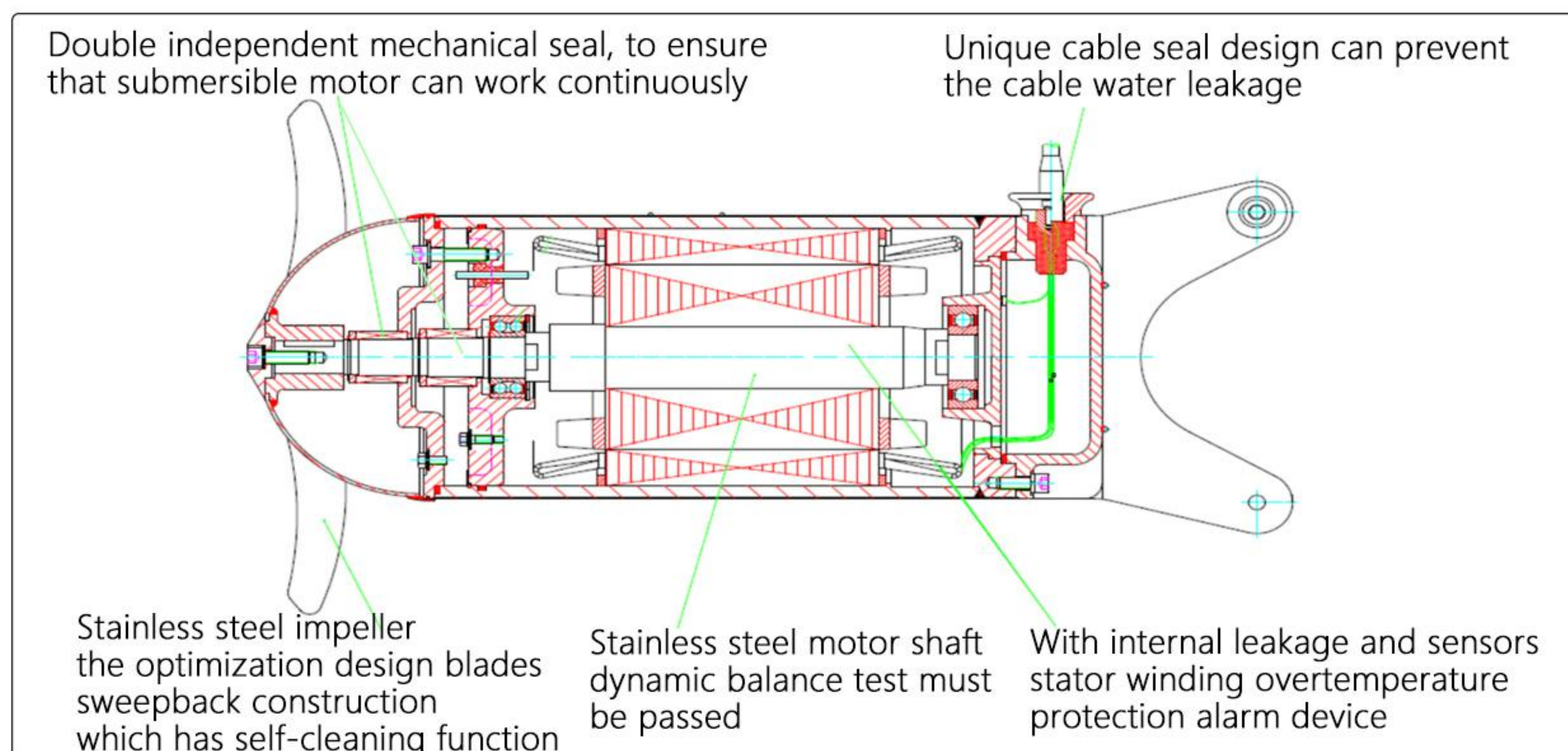


PERFORMANCE & FEATURE

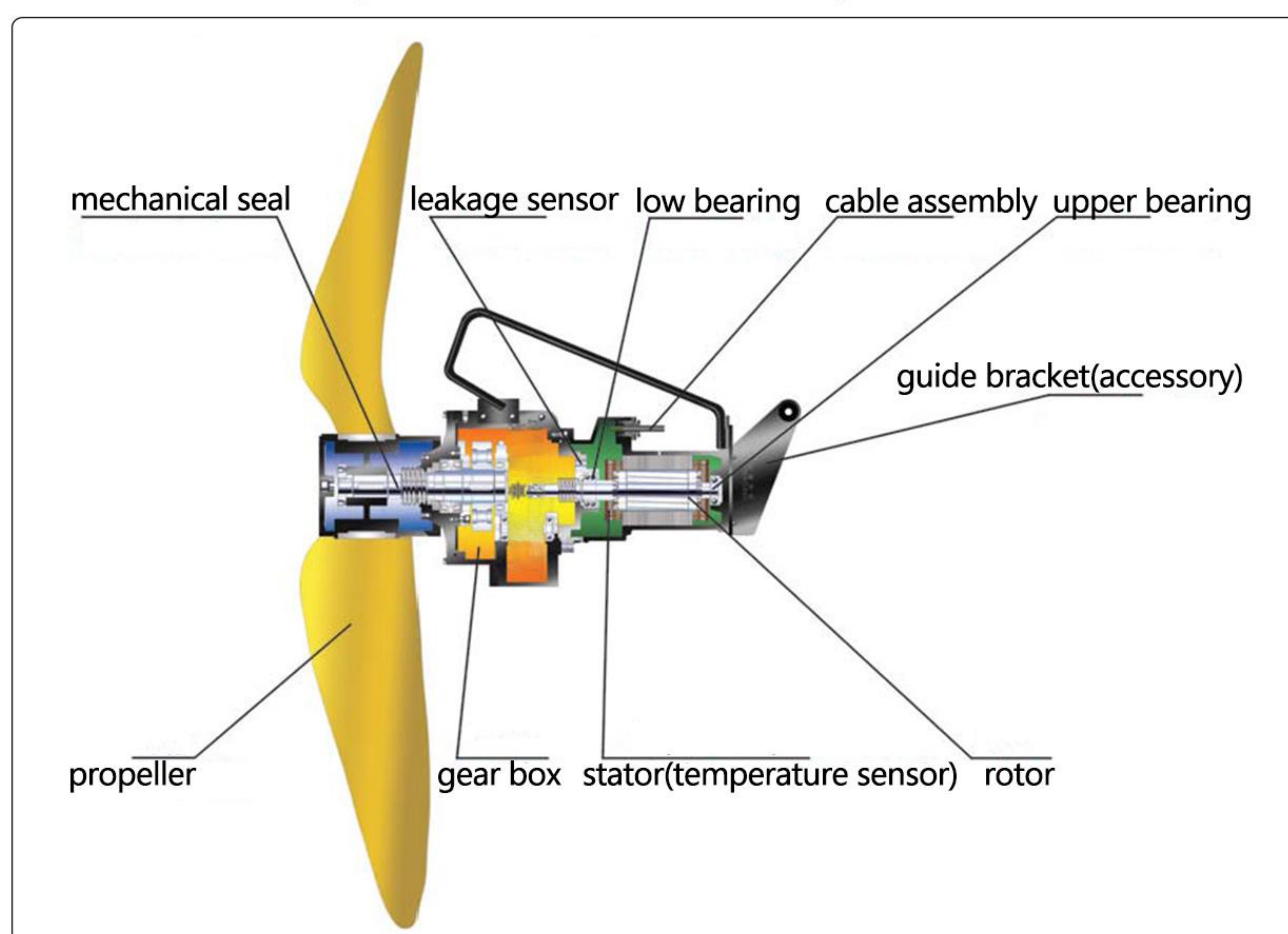
- 1.QJB/GQJB series mixer is featured with compact structure, simple operation and maintenance, convenient installation and overhaul and long service life, etc.
- 2.The impeller has the best hydraulic-design structure, high working efficiency, sweep-back blade has the self-cleaning function to avoid being wrapped and blocked by litter.
- 3.Through serving with the aeration system, it can reduce the energy consumption greatly, increase the oxygenation obviously, so as to prevent the deposition effectively.
- 4.Unique cable seal design, ruled out cable slack hidden trouble.
- 5.The insulation class of motor winding is F, protection degree is IP68, high quality bearing is adopted to make the motor work more reliably.
- 6.With double mechanical sealing, its material is tungsten carbide, and all exposed fasteners are made of stainless steel.

STRUCTURE OF MIXER

(G)QJB series mixer adopts the normal (multi-pole permanent magnet) motor, pressed and formed blade with perfect precision and high efficiency and the impeller available in different blade angles. It is featured with the compact structure, small volume, light weight, simple operation and maintenance, convenient and fast installation and long service life, etc. and, the shell is made of stainless steel. With nice look. It is the best upgraded product of early iron-cast mixer.



Structure of low-speed-flow submersible agitator



MODEL SELECTION GUIDE

To ensure to achieve the best effect, please provide the following information:

- 1、 usage occasion and purpose;
- 2、 shape of the pond;
- 3、 dimensions of the pond: length and width of the pond, depth of water and depth of the pond;
- 4、 media properties: density, viscosity, temperature, pH value, solid content, etc.
- 5、 additional information

For the purpose of fulfilling the optimum mixing function in different environments, we can supply multiple types of the submersible mixers to the users and provide type selection service as well.

PERFORMANCE DATA SHEET

Submersible Mixer

Model	Power	Speed	Blade dia.	Current	Axial thrust	Weight
	KW	rpm	mm	A	N	Kg
QJB0.37/6-220/3-980S	0.37-6P	980	220	1.3	138	30
QJB0.75/6-220/3-980S	0.75-6P	980	220	2.4	154	30
QJB1/8-260/3-740S	1-8P	740	260	3.4	250	44
QJB1.5/6-260/3-980C/S*	1.5-6P	980	260	3.9	406	55
QJB2.2/8-320/3-740C/S*	2.2-8P	740	320	5.9	815	110
QJB4/6-320/3-980C/S*	4-6P	980	320	9.3	853	115
QJB1.5/8-400/3-740S	1.5-8P	740	400	4.5	1176	70
QJB2.5/8-400/3-740S	2.5-8P	740	400	7.3	1120	70
QJB3/8-400/3-740S	3-8P	740	400	8	1190	70
QJB4/6-400/3-980S	4-6P	980	400	9.6	1540	73
QJB4/12-620/3-480S	4-12P	480	620	14.5	1680	184
QJB5/12-620/3-480S	5-12P	480	620	18	2520	184
QJB7.5/12-620/3-480S	7.5-12P	480	620	26.7	3640	229
QJB10/12-620/3-480S	10-12P	480	620	29.3	4060	229
QJB12/12-620/3-480S	12-12P	480	620	32	4340	250
QJB15/12-620/3-480S	15-12P	480	620	42.8	5880	305
QJB18.5/12-620/3-480S	18.5-12P	480	620	55	7420	315
QJB22/12-620/3-480S	22-22P	480	620	65	8540	335

Note: * indicates the material of the casing is cast iron, others are stainless steel

comparison of QJB and GQJB

Model	Power	Factor	Motor	Blade	Current	Axial thrust	Weight
	KW		%	mm	A	N	Kg
QJB1.5/8-400/3-740S	1.5-8P	0.7	69	400	4.5	1120	70
GQJB1.5/8-400/3-740S		0.94	89.4		2.7	1120	
QJB2.5/8-400/3-740S	2.5-8P	0.72	74	400	7.3	1176	70
GQJB2.5/8-400/3-740S		0.95	90		4.4	1176	
QJB3/8-400/3-740S	3-8P	0.73	75.5	400	8	1190	70
GQJB3/8-400/3-740S		0.96	91		5.2	1190	
QJB4/6-400/3-980S	4-6P	0.76	77	400	9.6	1540	73
GQJB4/6-400/3-980S		0.96	91.8		6.9	1540	
QJB4/12-620/3-480S	4-12P	0.64	72	620	14.5	1680	184
GQJB4/12-620/3-480S		0.97	92.85		6.7	1680	
QJB5/12-620/3-480S	5-12P	0.66	75	620	18	2520	184
GQJB5/12-620/3-480S		0.98	92.45		8.4	2520	
QJB7.5/12-620/3-480S	7.5-12P	0.68	76	620	26.7	3640	229
GQJB7.5/12-620/3-480S		0.98	92.05		12.6	3640	

Model	Power	Factor	Motor	Blade	Current	Axial thrust	Weight
	KW		%	mm	A	N	Kg
QJB10/12-620/3-480S	10-12P	0.69	78	620	29.3	4060	229
GQJB10/12-620/3-480S		0.98	92.5		16.8	4060	
QJB15/12-620/3-480S	15-12P	0.68	80	620	42.8	5880	305
GQJB15/12-620/3-480S		0.98	92.4		25.2	5880	
QJB18.5/12-620/3-480S	18.5-12P	0.68	80.5	620	55	5300	315
GQJB18.5/12-620/3-480S		0.98	92.9		30.9	7420	
QJB22/12-620/3-480S	22-22P	0.69	81.5	620	65	8540	335
GQJB22/12-620/3-480S		0.98	93.4		36.5	8540	

Low-speed-flow Submersible Agitator

Model	Power	Speed	Blade dia.	Current	Axial thrust	Weight
	KW	rpm	mm	A	N	Kg
QJB1.5/4-1100/2-35P	1.5	35	1100	4	1100	218
QJB2.2/4-1100/2-35P	2.2	35	1100	6	1970	226
QJB3/4-1100/2-35P	3	35	1100	8	2410	230
QJB4/4-1100/2-35P	4	35	1100	9	2930	235
QJB2.2/4-1400/2-35P	2.2	35	1400	6	2180	235
QJB3/4-1400/2-35P	3	35	1400	8	2520	238
QJB4/4-1400/2-42P	4	42	1400	9	3020	240
QJB2.2/4-1600/2-35P	2.2	35	1600	6	2290	238
QJB3/4-1600/2-35P	3	35	1600	8	2610	240
QJB4/4-1600/2-35P	4	35	1600	9	3050	243
QJB2.2/4-1800/2-35P	2.2	35	1800	6	2360	240
QJB3/4-1800/2-35P	3	35	1800	8	2750	240
QJB4/4-1800/2-35P	4	35	1800	9	3090	245
QJB5.5/4-1800/2-35P	5.5	35	1800	13	3430	260
QJB7.5/4-1800/2-35P	7.5	35	1800	17	3980	270
QJB4/4-2500/2-30P	4	30	2500	9	3230	290
QJB5.5/4-2500/2-35P	5.5	35	2500	13	3890	300
QJB7.5/4-2500/2-35P	7.5	35	2500	17	4200	310

INSTALLATION SYSTEM

