



AV Series

Vortex Impeller Pump

PRODUCT INTRODUCTION

AV series vortex impeller pumps are suitable for municipal & industrial sewage water, its feature is to have the strong capacity of anti block and intertwine.

TECHNICAL DESCRIPTION

► **Motor**

The unique insulation design ensures the motor can still run normally if little water is in the chamber of motor. The optimal design of motor guarantees that the pump is able to start running when the hydraulic parts is submerged by some mud and sands.

Motor submerged: continuous operation S1.

► **Medium temperature**

Up to 40°C

► **Hydraulic parts**

Processed with advanced CFD flow field diagnose technology, it has many merits like high efficiency, no block and anti-corrosion etc.

► **Sealing design**

To meet the requirement of deep sub-immersion, we take many improvement measures for pump sealing, unique sealing technique, which enable the product to be safer and more reliable.

► **Protection measures**

Leakage protection in oil chamber, motor overload protection.



MODEL DESCRIPTION

AV XX - XX

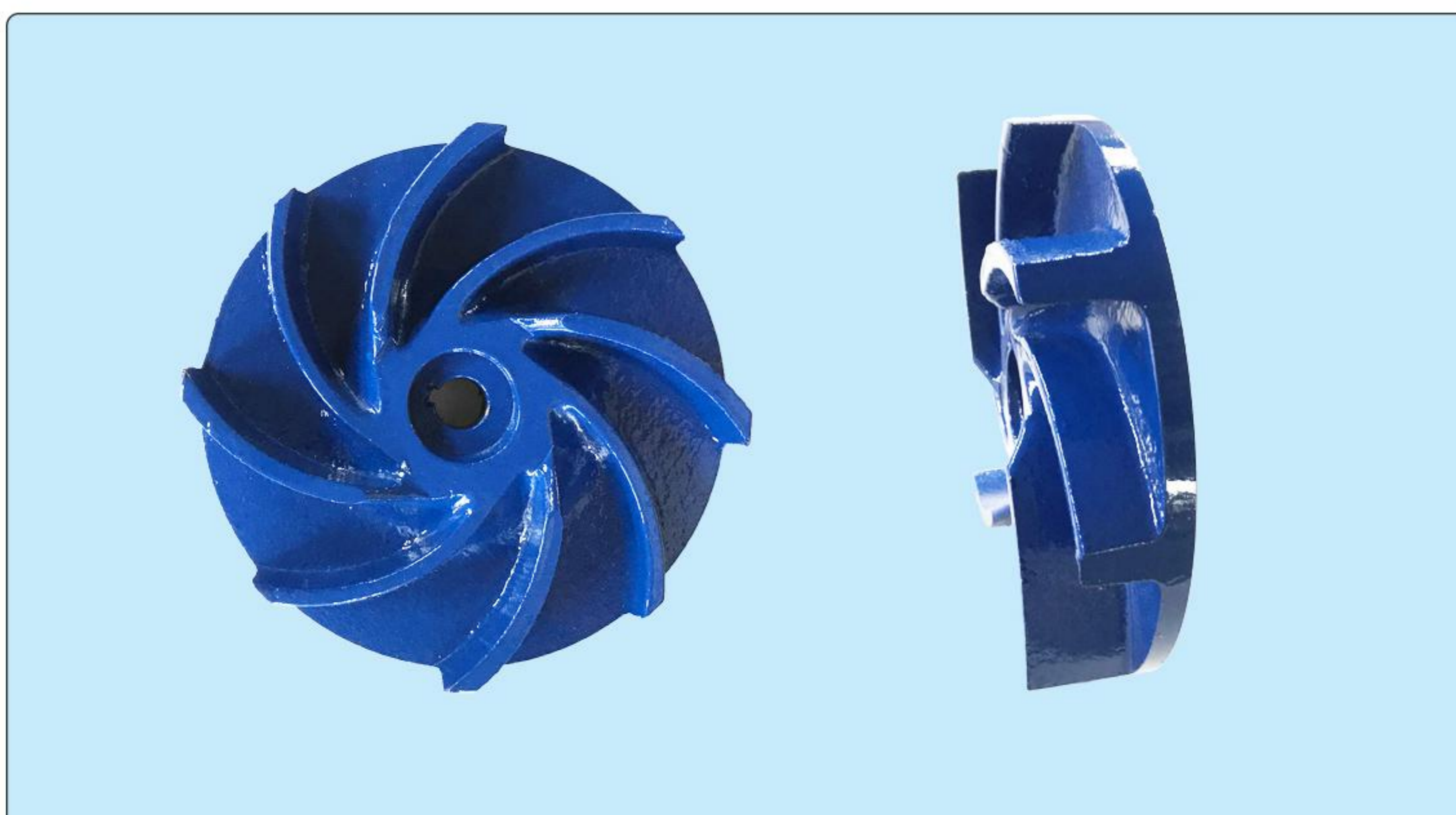


PRODUCT RANGE OF USE

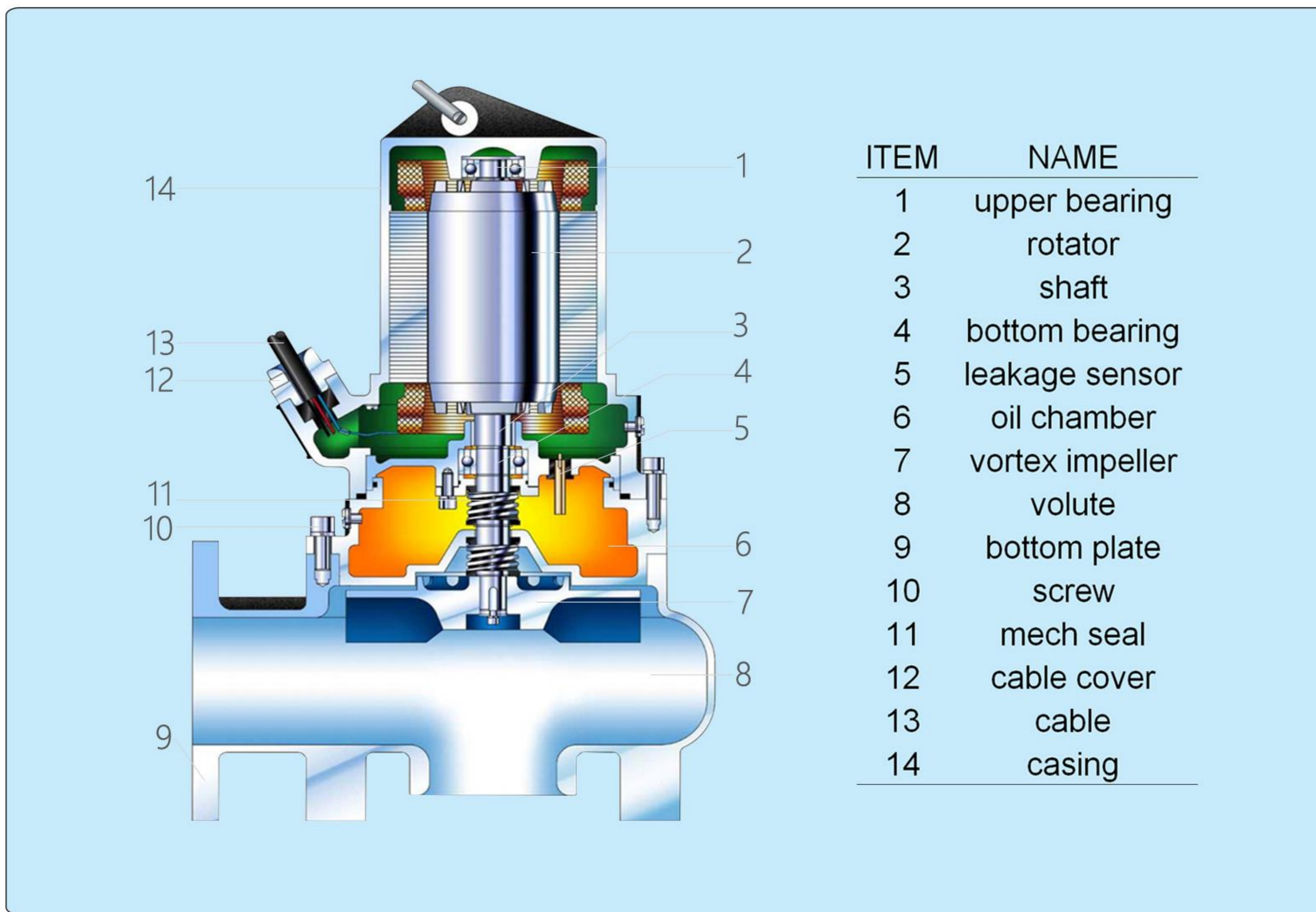
- Sewage water with fibrous mater
- Municipal sewage water
- Industrial sewage water
- Domestic sewage water

MATERIALS

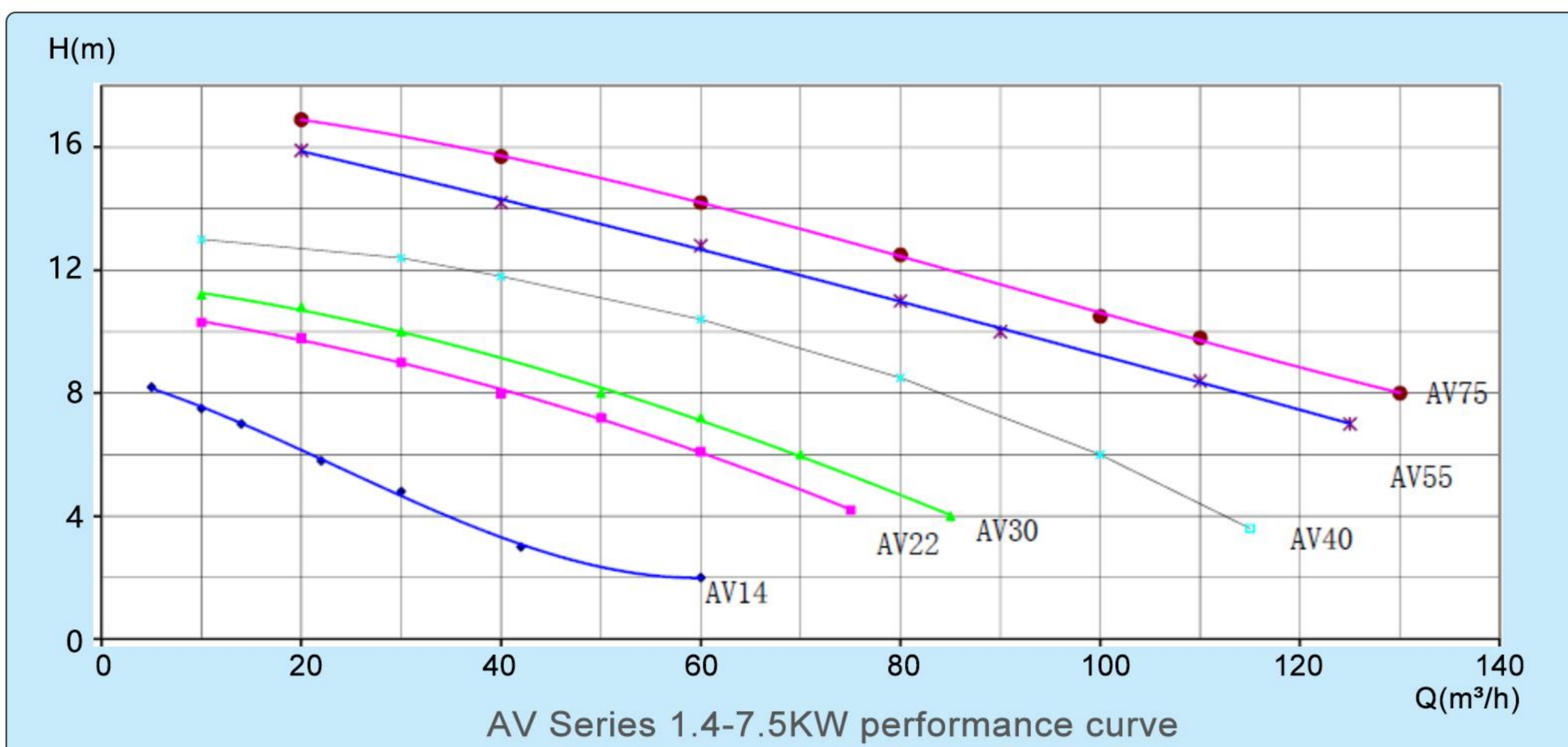
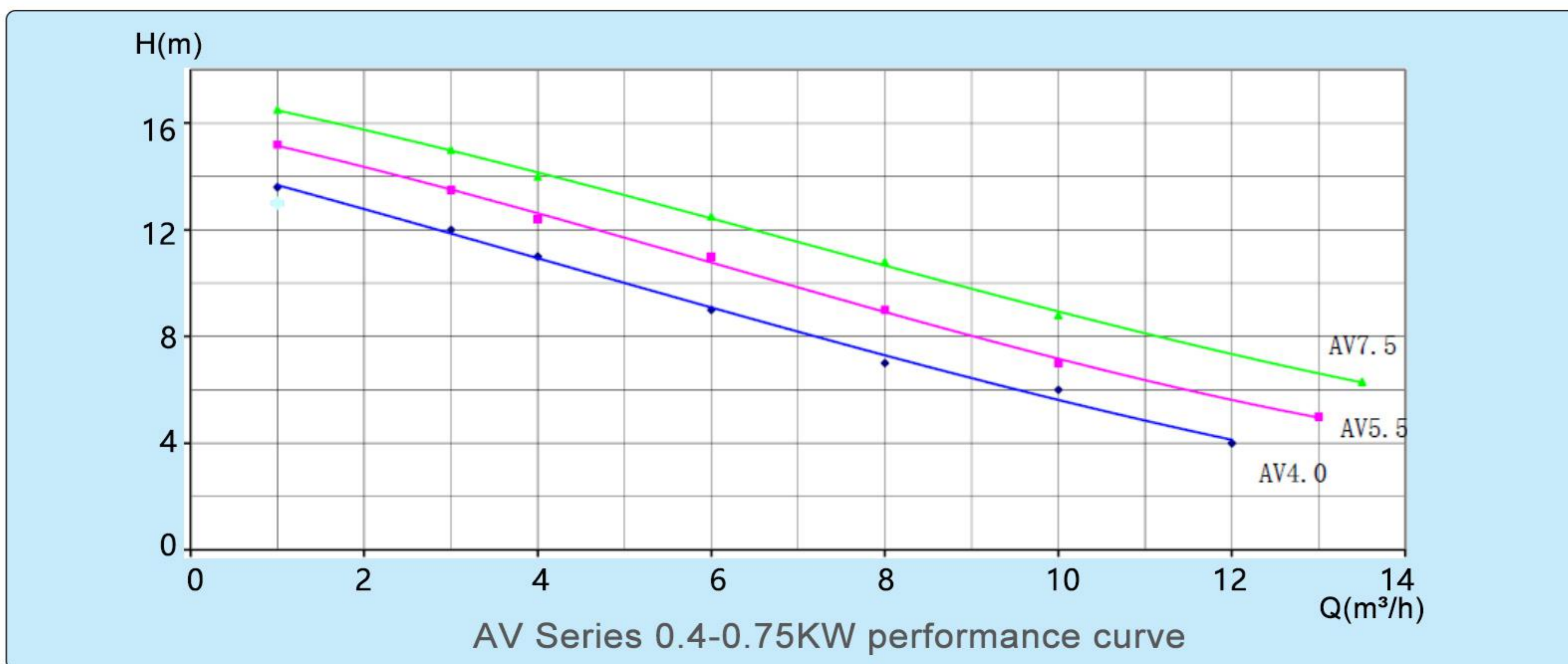
- Pump casing, volute, impeller is GG20.
- Mechanical seal is SiC.
- Cable is rubber.



SECTION DRAWING



PERFORMANCE CURVE



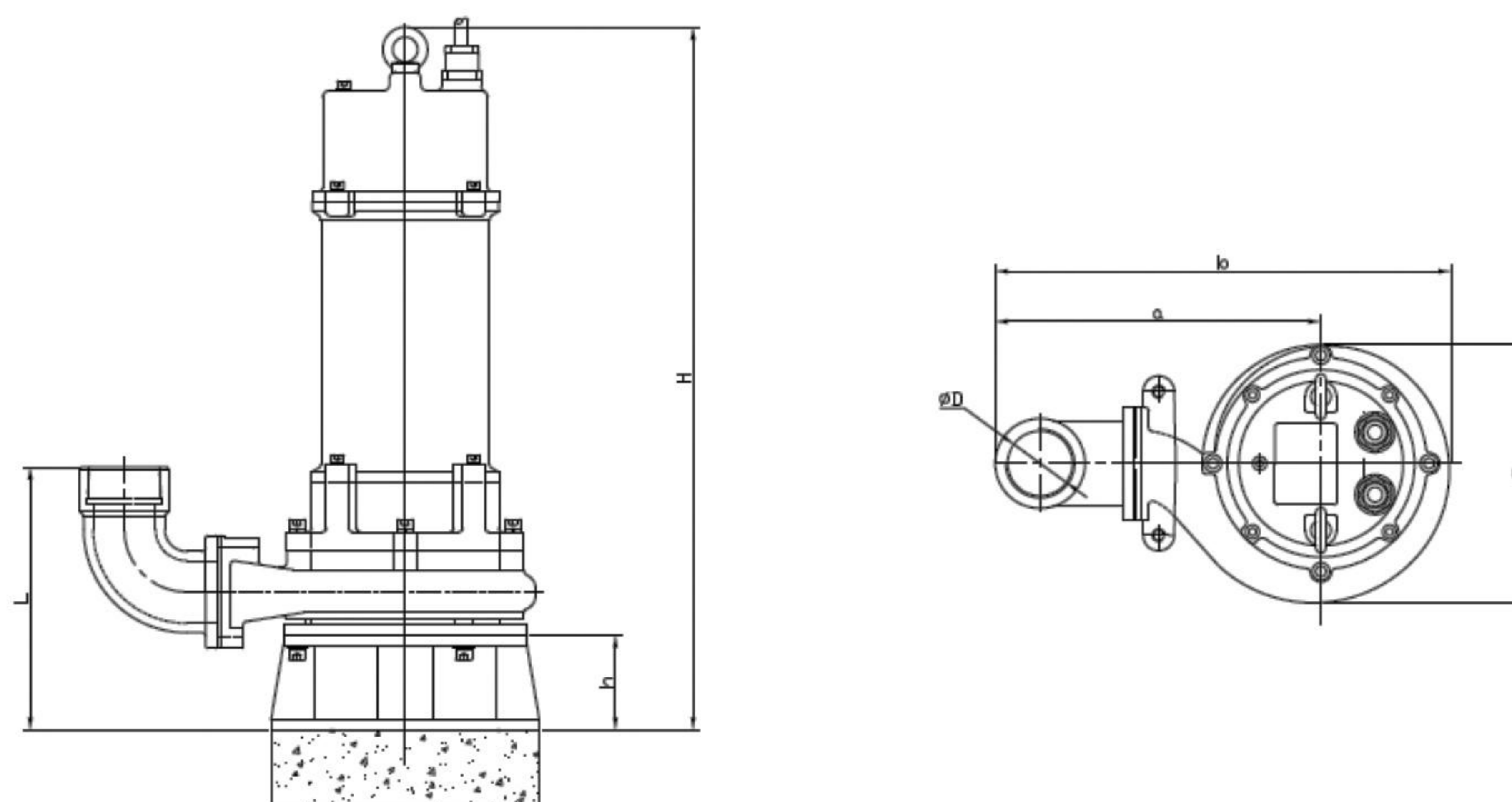
TECHNICAL DATA

TYPE	3	4	5	6	8	10	11	12	13	14	16	16.5	H(m)
AV4.0-2		12	11	9.5	7.2	5	4	3	1.5				flow(m ³ /h)
AV5.5-2			13	11.5	9	6.9	6	4.7	3.5	2.5			
AV7.5-2				13.6	11.2	8.8	7.8	6.6	5.5	4	1.6		
AV14-4	45	35	25	21	6								
AV22-4	95	75	60	45	18								
AV30-4		95	79	65	40	20							
AV40-4			120	115	75	60	40	25	10				
AV55-4				130	110	85	75	55	40	30			
AV75-4				140	120	100	90	65	55	40	20		

TYPE	Voltage[50Hz] (V)	Power (kw)	Current (A)	Speed (rpm)	Discharge (mm)	Solid size (mm)	Weight (kg)
AV4.0-2	220	0.4	3.5	2900	50	30	20
AV5.5-2	220/380	0.55	5/1.5	2900	50	30	29
AV7.5-2	220/380	0.75	5.8/1.9	2900	50	30	29
AV14-4	380	1.4	4.3	1470	80	65	33
AV22-4	380	2.2	5.8	1470	100	80	45
AV30-4	380	3	6.4	1470	100	80	45
AV40-4	380	4	9	1470	100	80	75
AV55-4	380	5.5	13	1470	150	125	150
AV75-4	380	7.5	17	1470	150	125	150

INSTALLATION SYSTEM

Portable Installation



TYPE	H	h	L	D	a	b	c
AV4.0-2	450	60	170	50	160	260	175
AV5.5-2	450	60	170	50	160	260	175
AV7.5-2	450	0.6	170	50	160	260	175
AV14-4	535	90	295	80	317	437	250
AV22-4	680	105	400	100	450	612	324
AV30-4	680	105	400	100	450	612	324
AV40-4	680	105	400	100	450	612	324
AV55-4	945	185	580	150	515	720	410
AV75-4	945	185	580	150	515	720	410

Wet Installation

