



CP Series

Semi-open Single/Double Vane Impeller Pump

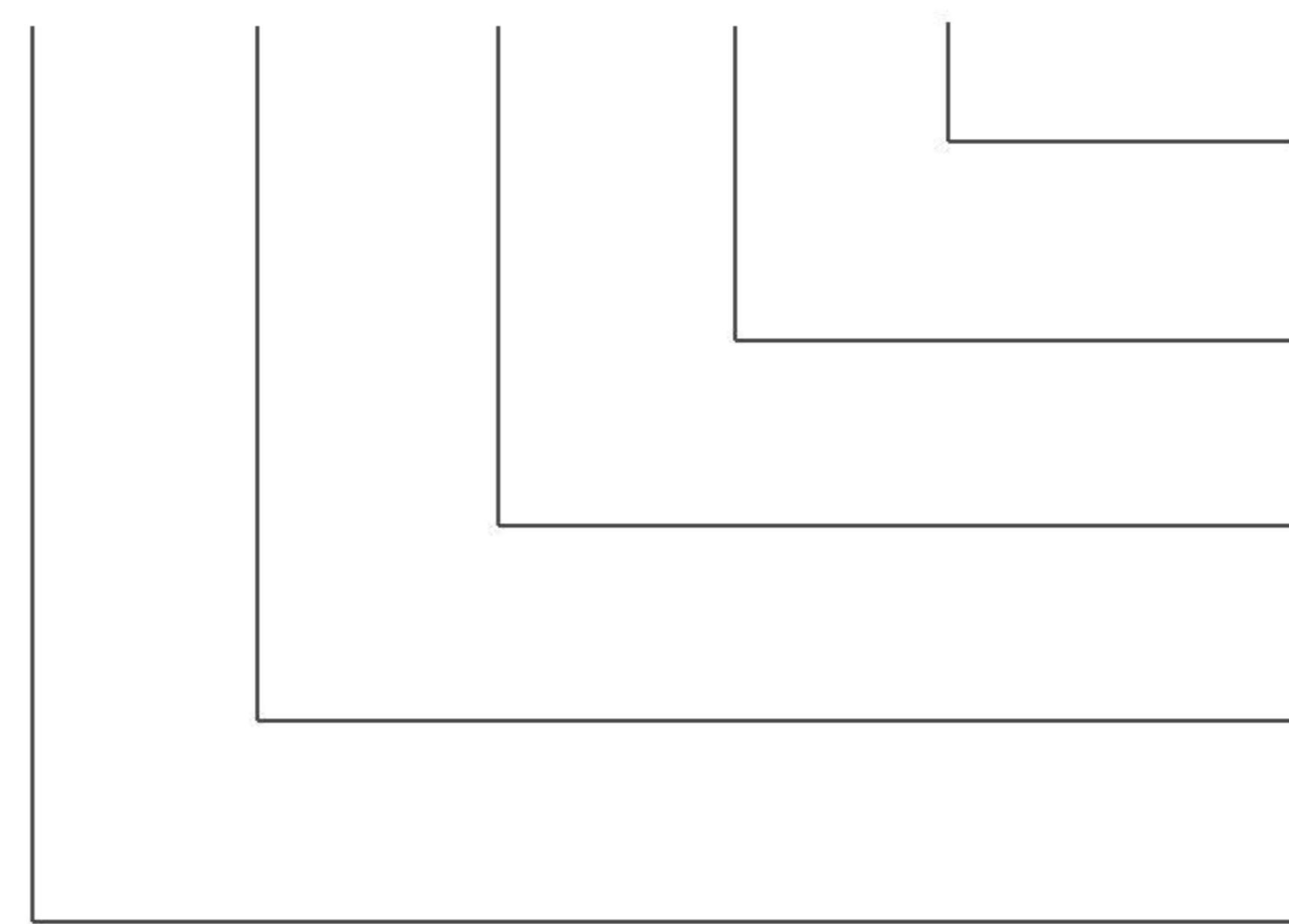
PRODUCT FEATURES

CP series submersible sewage pump are designed for economical and reliable pumping of sewage water from commercial, communal and industrial sources. They are suitable for clear and waste water containing solid and fibrous material. Used in conjunction with the automatic coupling system, the below ground level wet installation is a particularly economical solution which also does not damage the environment. The pump are also suitable for quick portable applications.



MODEL DESCRIPTION

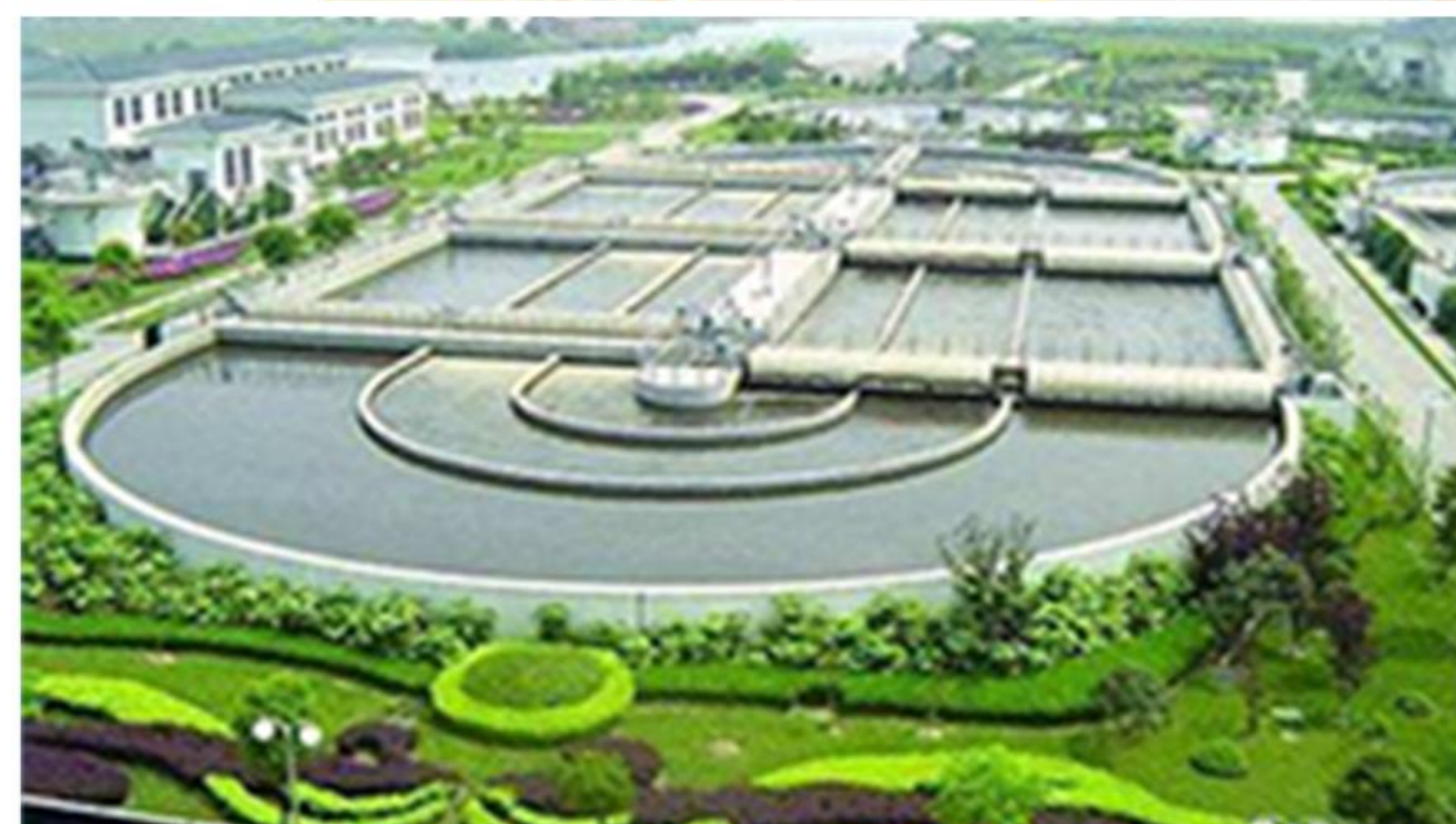
CP(S) XX - XX H/M/S (A)



With float switch auto-type
 Impeller size(S-small M-middle H-large)
 Motor pole
 Motor power X 100
 Semi-open single/double vane impeller with cutter(S-single phase)

PRODUCT PURPOSES

- Municipal engineering
- Factory
- Commerce
- Hospital
- Hotel
- Residential area and so on
- Supply water
- Irrigation

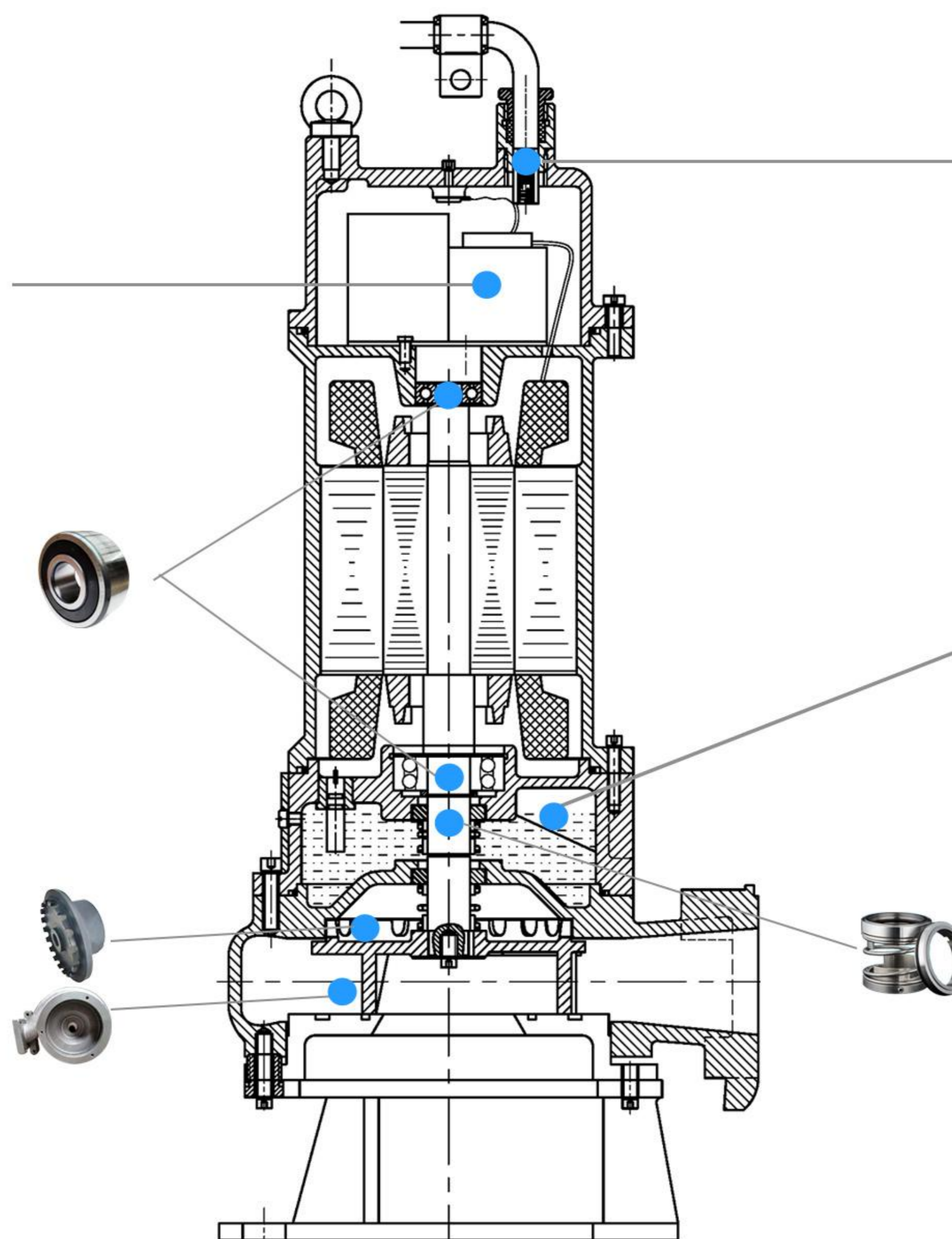


STRUCTURE DESCRIPTION

Cabinet(only single phase/automatic type):
Built-in-cabinet with an integrated circuit inside to connect with float switch, TCS& DI. It can switch on/off the pump automatically, just connecting pump to power directly

Lubricated for life maintenance-free ball bearings. SKF or NSK

Volute, impeller: GG20
Open single channel impeller with large free solids passage, also with a hardened cutter in the edge, strictly static and dynamic balance checked, pump operating smoothly and fibrous material can be cut in piece and passed



Cable inlet with strain relief and anti-kink protection. On the end of cable, connected with an indicator

Oil pocket is full of lubricating oil. Disystem with a sensor in it give a timely indication that an inspection is due and that leakage at the shaft seal has occurred

Mechanical seal: SiC/WC

● Motor

The unique insulation design ensures the motor can still run normally if little water is in the chamber of motor. The optimal design of motor guarantees that the pump is able to start running when the hydraulic parts is submerged by some mud and sands.

Motor submerged

Continuous operation S1

● Hydraulic parts

Processed with advanced CFD flow field diagnose technology, it has many merits like high efficiency, no block and anti-corrosion etc. the impeller is adopted semi-open single or double vane with cutter design, they have large flow channel to ensure that large solid can be passed.

● Sealing design

We take many improvement measures for pump sealing, adopt two double mechanical seal design, which enable the product to be safer and more reliable.

● Protection measures

- 1) Oil water leakage sensor (on option): For pump $\geq 0.75\text{kW}$, there can be oil water leakage sensor installed in oil chamber, when the medium is leaked into oil seal, resistance $\leq 30\text{km}$, it will send the signal.
- 2) Overheat protector (on option): The overheat protector can be installed inside the stator winding of motor, when the temperature of winding $\geq 135^\circ\text{C} (\pm 5)$, it will send the signal.

● Cooling jacket (on option)

Pump $\geq 2.2\text{kW}$ is equipped with cooling jacket.

● Medium temperature

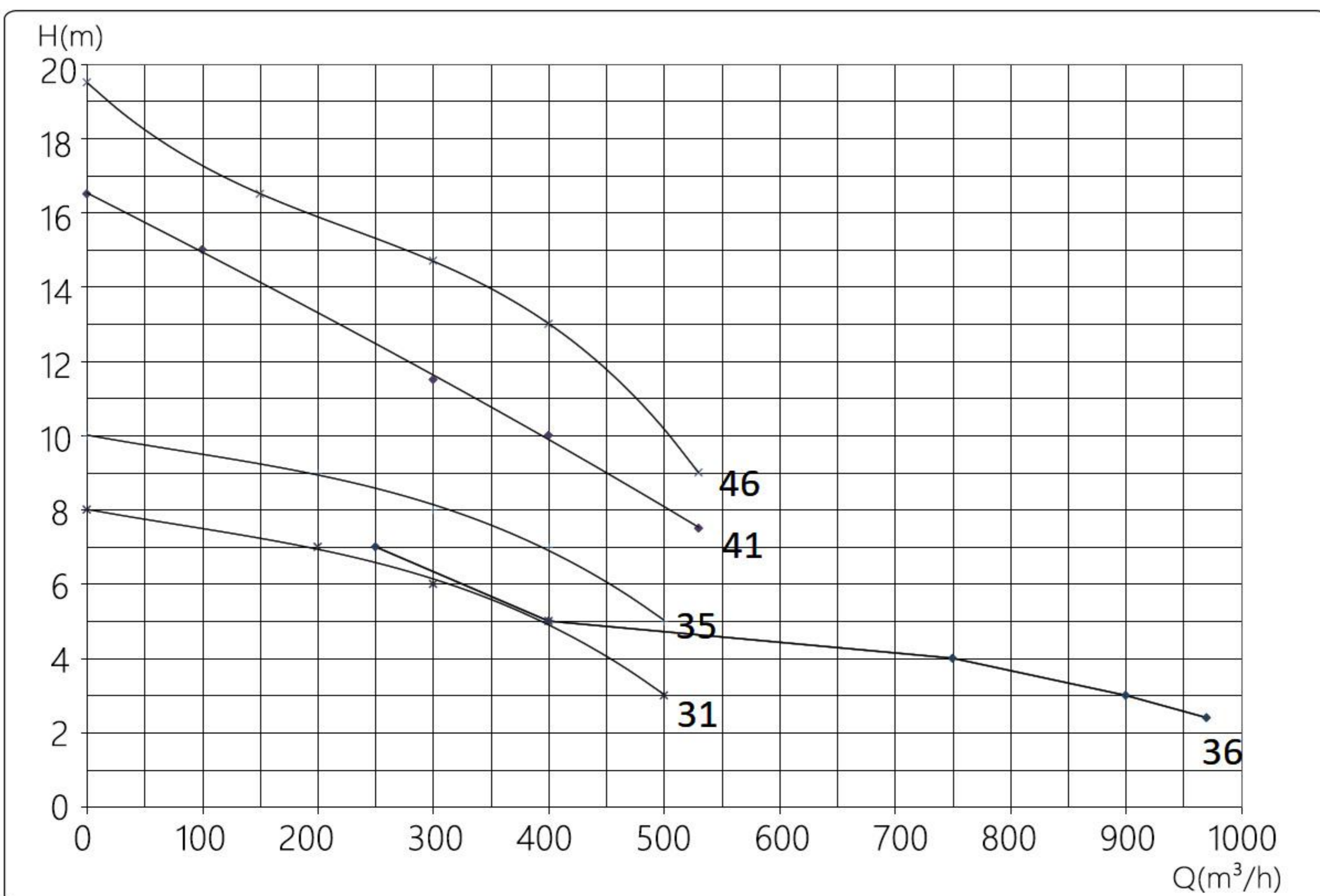
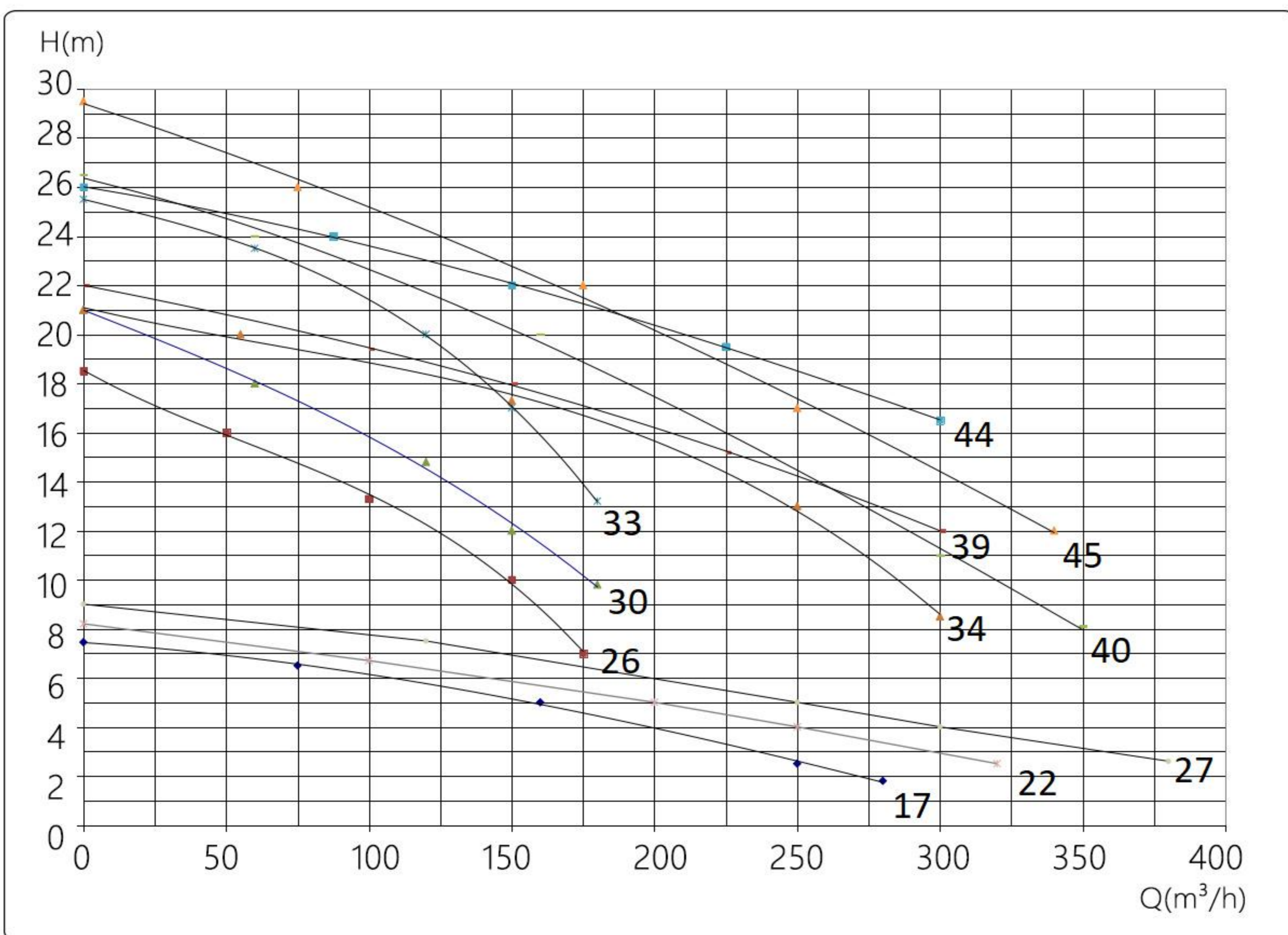
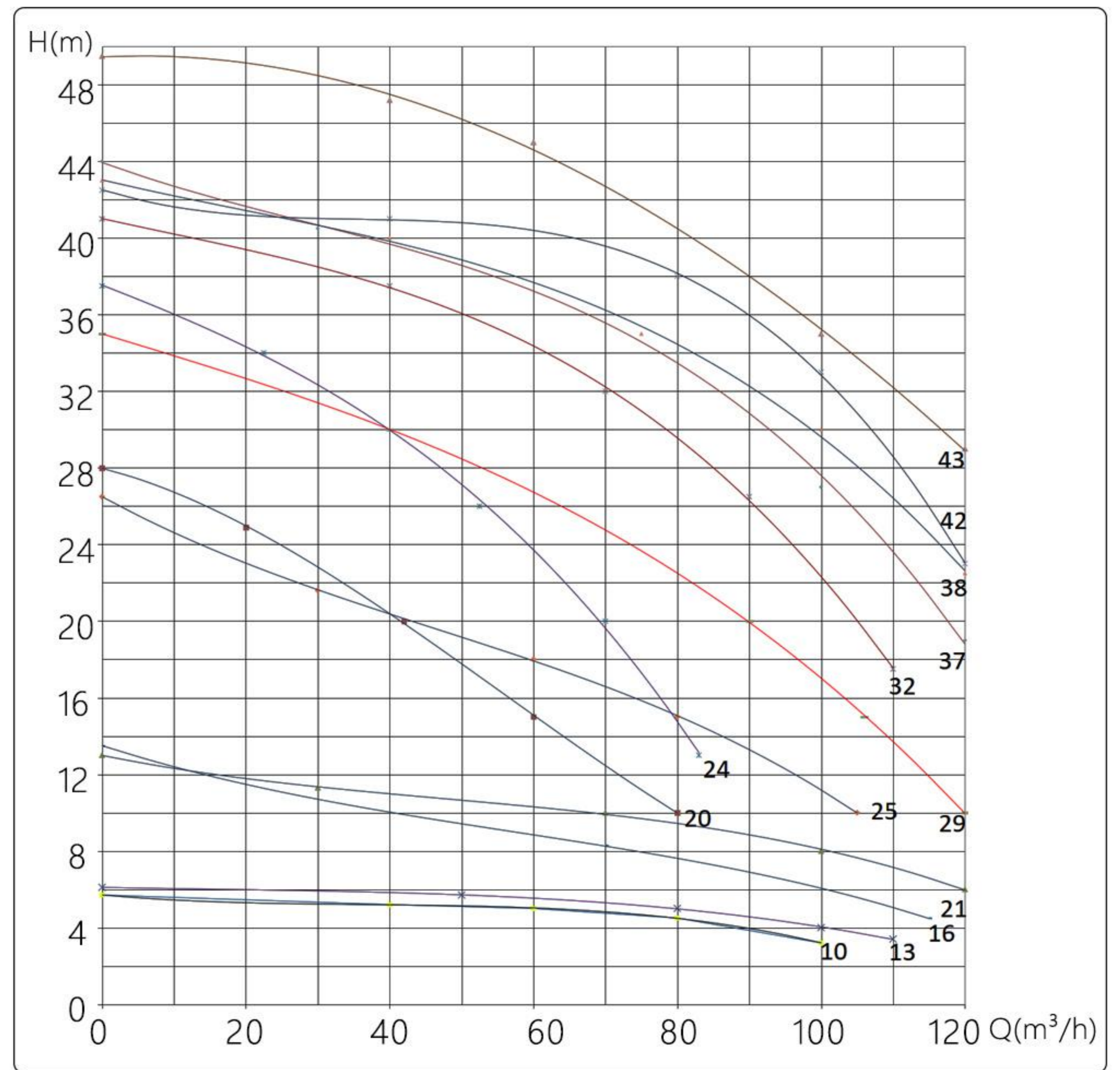
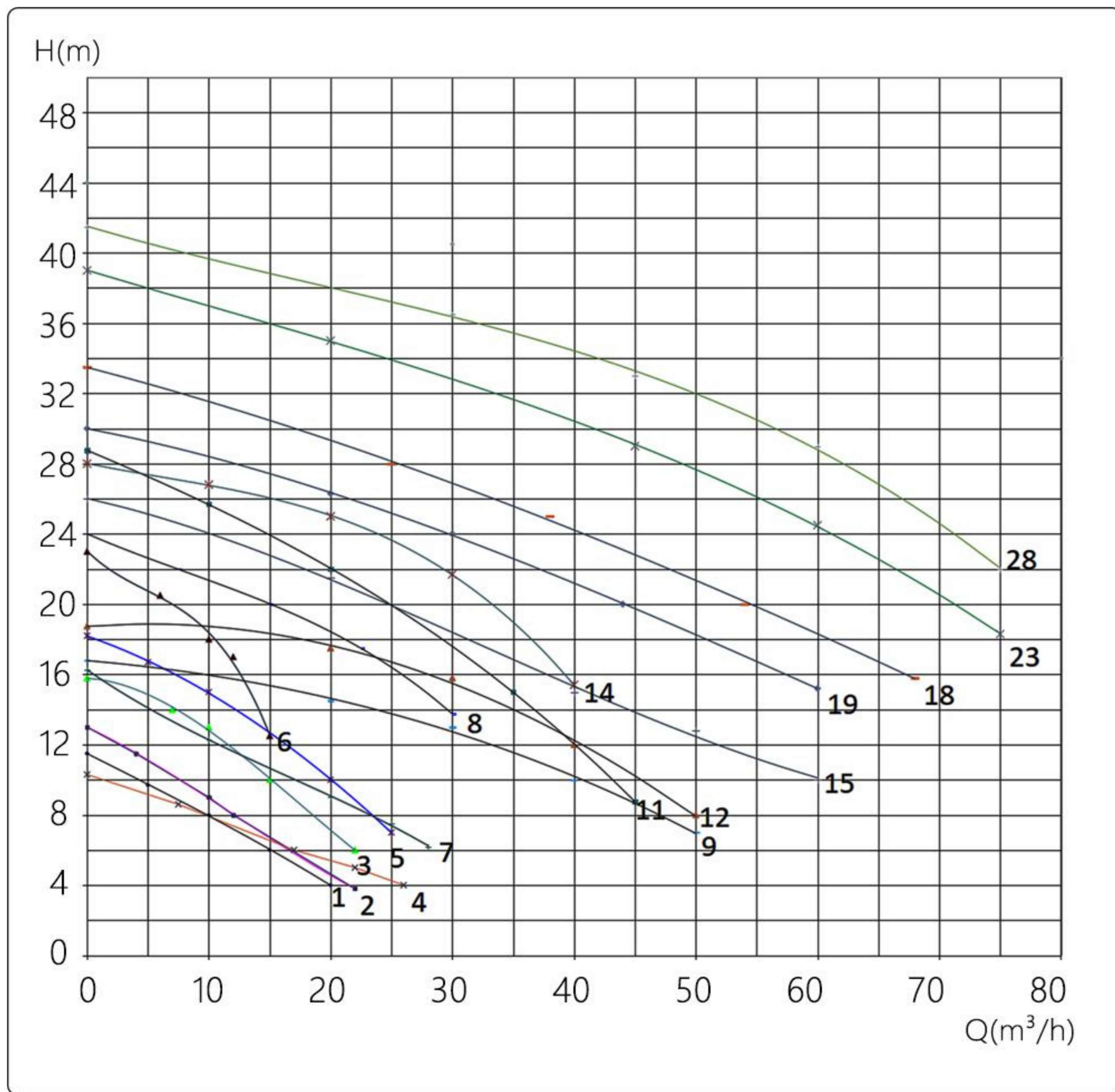
Up to 40°C



TECHNICAL DATA

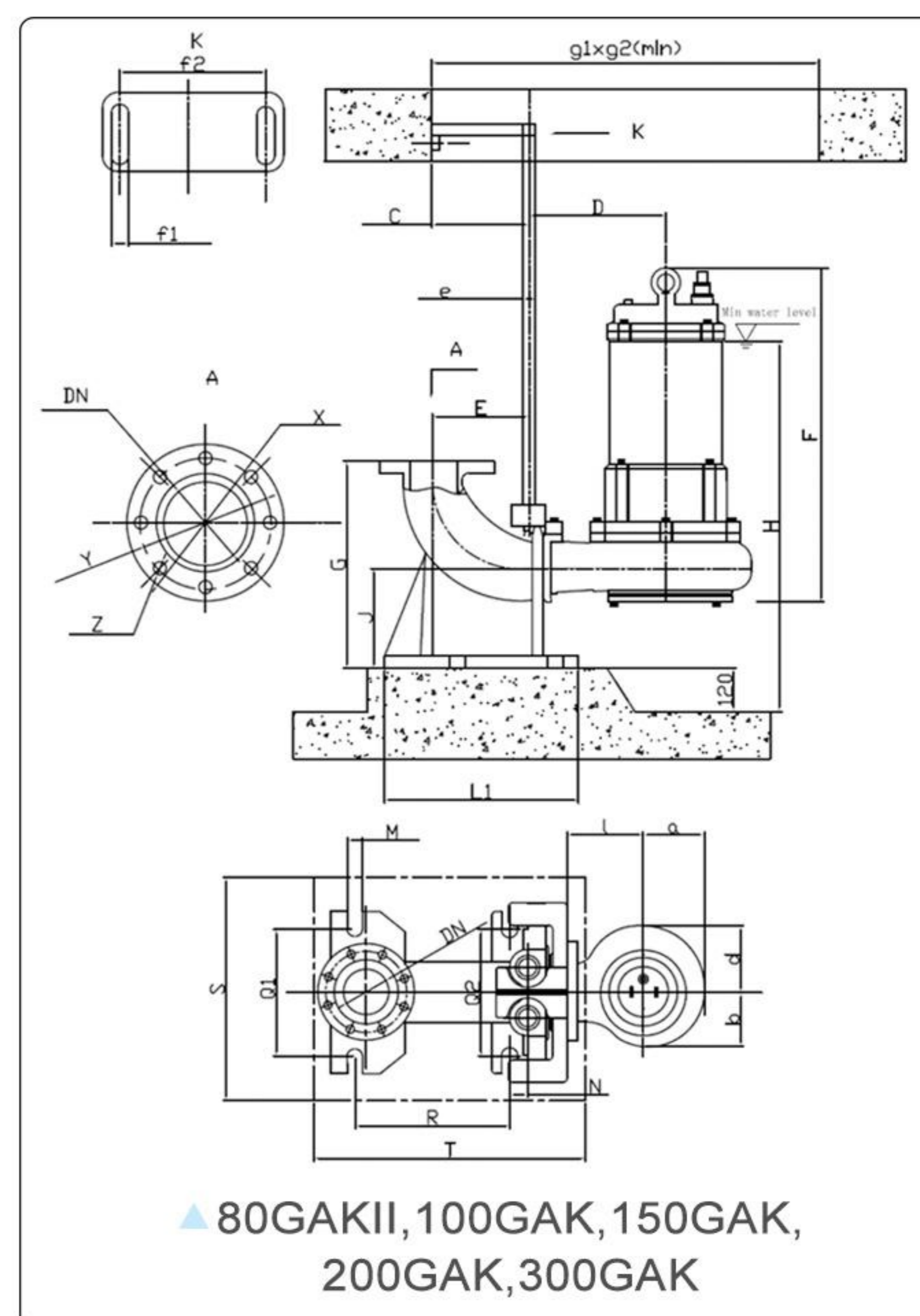
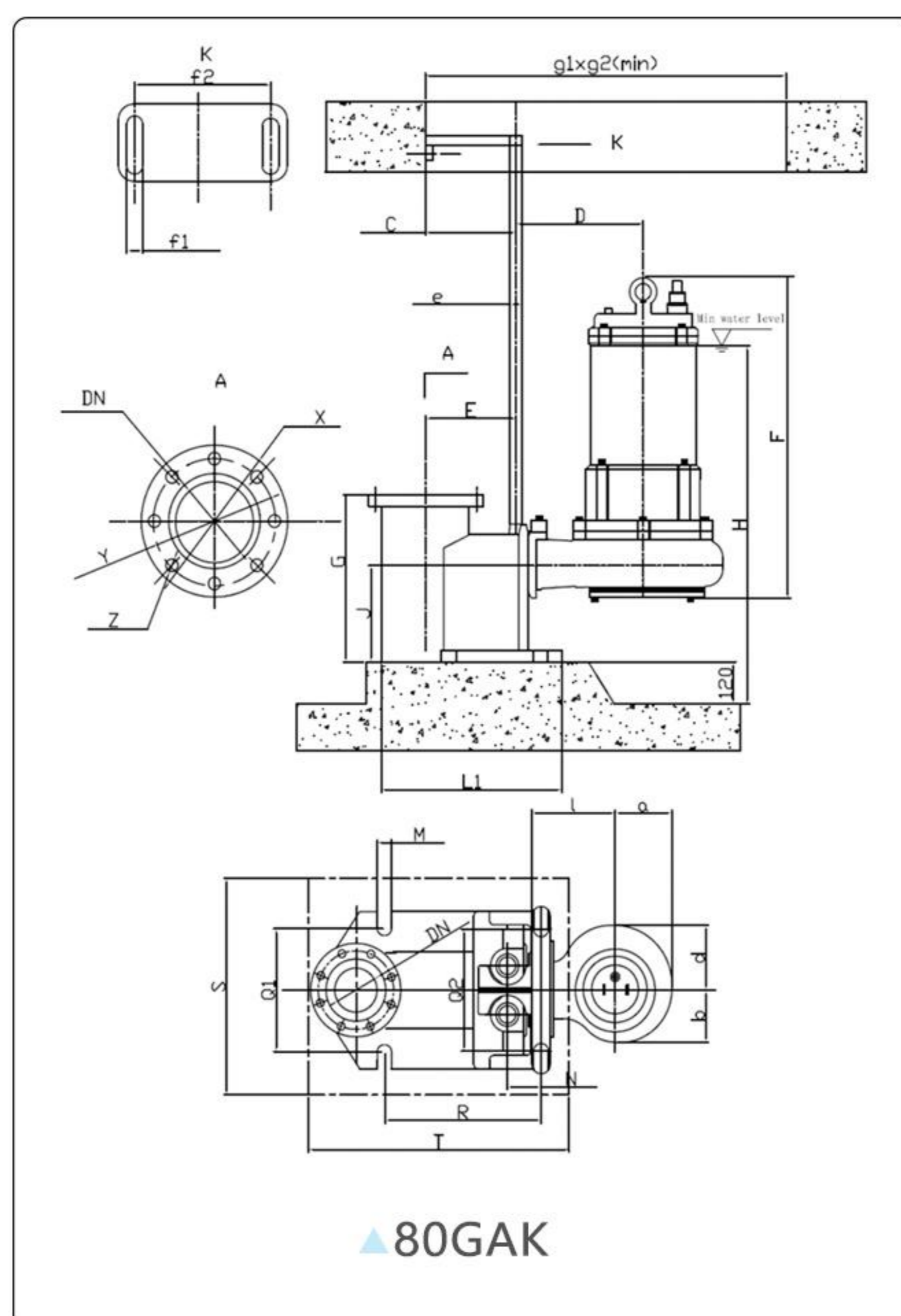
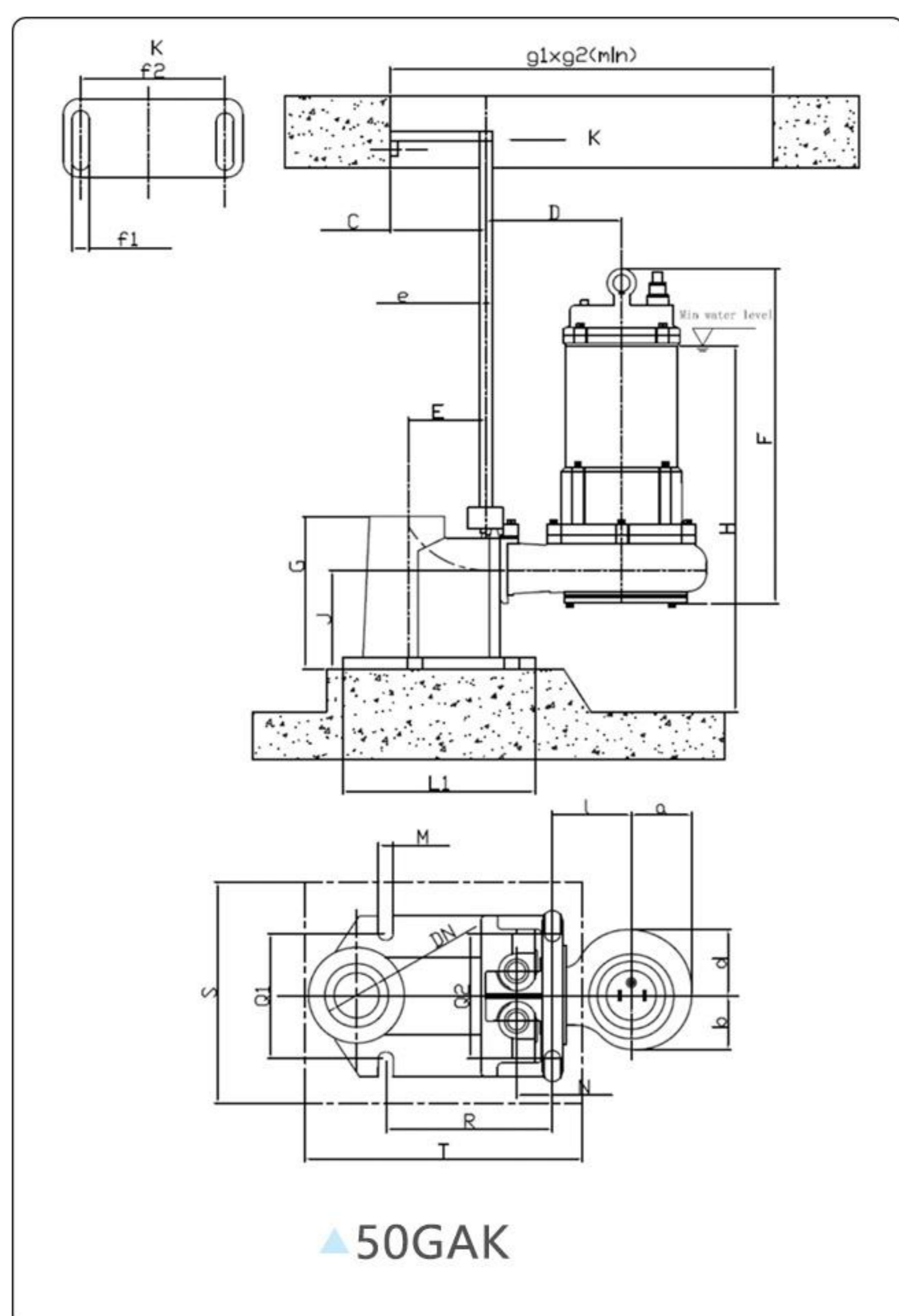
Item . No.	Model	Capacity (m3/h)	Head (m)	Power (Kw)	Discharge (mm)	Phase	Weight (kg)	Max solids (mm)
1	CP(S)75-2H(A)	10	8	0.75		1/3		
2	CPS100-2H(A)	10	9	1	50/50GAK	1	33	25
3	CP100-2H(A)	10	13			3		
4	CP(S)100-2M(A)	17	6			3		
5	CPS150-2H(A)	10	15	1.5	50/50GAK	1	35	25
6	CP150-2H(A)	10	18			3		
7	CP(S)150-2M(A)	20	9			1/3	35	
8	CP220-2H(A)	15	20	2.2	80/80GAK		45	40
9	CP220-2M(A)	40	10					
10	CP220-4M(A)	60	5					
11	CP300-2H(A)	20	22	3	80/80GAK		45	40
12	CP300-2M(A)	40	12					
13	CP300-4M(A)	80	5					
14	CP400-2H(A)	20	25	4	80/80GAK		85	40
15	CP400-2M(A)	40	15					
16	CP400-4M(A)	100	6					
17	CP400-6M	250	2.5		150/150GAK		130	70
18	CP550-2H	25	28	5.5	80/80GAKII	3	120	40
19	CP550-2M	30	24		100/100GAK			50
20	CP550-2S	65	15		150/150GAK		130	70
21	CP550-4S	100	8		200/200GAK		250	100
22	CP550-6M	300	3					
23	CP750-2H	45	29	7.5	80/80GAKII	3	130	40
24	CP750-2M	70	20		100/100GAK			50
25	CP750-2S	80	15		150/150GAK		140	70
26	CP750-4S	150	10		200/200GAK		260	100
27	CP750-6M	300	4					
28	CP1100-2H	45	33	11	80/80GAKII	3	200	40
29	CP1100-2M	90	20		100/100GAK			220
30	CP1100-4M	150	12		150/150GAK		280	70
31	CP1100-4S	400	5		200/200GAK		320	100
32	CP1500-2H	70	32	15	80/80GAKII	3	200	40
33	CP1500-2M	150	17		100/100GAK			220
34	CP1500-4M	250	13		150/150GAK		280	70
35	CP1500-4S	400	7		200/200GAK		320	100
36	CP1500-8M	750	4		300/300GAK		500	125
37	CP1850-4H-100	80	34	18.5	100/100GAK	3	450	50
38	CP1850-4M-100	100	30					
39	CP1850-4H-150	150	18		150/150GAK			70
40	CP1850-4M-150	300	11		200/200GAK		100	
41	CP1850-4M-200	400	10					
42	CP2200-4H-100	80	38	22	100/100GAK	3	500	50
43	CP2200-4M-100	100	35					
44	CP2200-4H-150	150	22		150/150GAK		70	
45	CP2200-4M-150	250	17		200/200GAK		100	
46	CP2200-4M-200	400	13					

PERFORMANCE CURVE



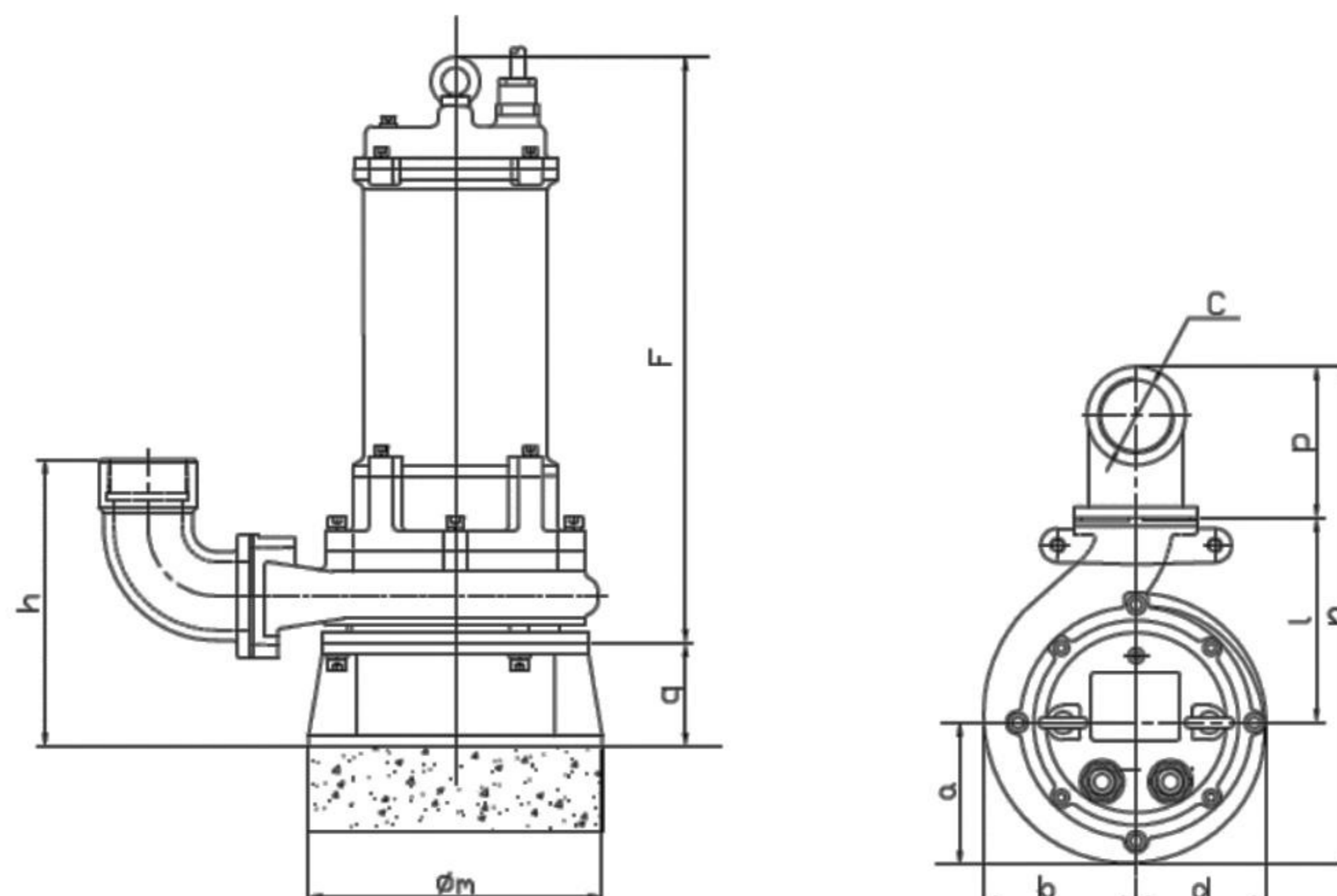
INSTALLATION SYSTEM

Wet Installation



Type	DN	C	D	E	M	G	e	J	X
50GAK	Rc2"	83	170	75	12	170	Φ19	100	x
80GAK	Rc3"	87	180	155	18	240	Φ24.5	135	200
80GAK- II	Rc3"	78	270	185	18	245	Φ40	125	195
100GAK	Rc4"	80	323	230	18	385	Φ40	200	215
150GAK	Rc6"	105	333	335	18	435	Φ40	230	285
200GAK	Rc8"	105	515	355	22	565	Φ57	285	340
300GAK	Rc12"	150	470	470	26	700	Φ70	345	445
Type	N	Q1/Q2	g1xg2(min)	R	Y	Z	S	T	f1/f2
50GAK	45	105/105	500x500	100	-	-	450	550	12/48
80GAK	55	145/145	500x500	170	160	8-Φ18	450	550	12/48
80GAK- II	15	260/225	1100x800	205	160	8-Φ18	450	550	18/160
100GAK	25	285/225	1150x900	250	180	8-Φ18	450	550	16/100
150GAK	35	340/240	1200x900	315	240	8-Φ22	650	850	16/100
200GAK	25	420/420	1300x900	400	295	8-Φ22	680	900	16/100
300GAK	58	510/510	1600x1200	600	400	12-Φ22	880	1300	16/120

Portable Installation



Portable Installation

MODEL	b	d	l	c	h	F	n	p	q	m
CP75-2H	110	97	135	Rc2"	197	427	355	110	50	195
CP75-2H(A)/CPS75-2H(A)	110	97	135	Rc2"	197	469	355	110	50	195
CP100-2H/CP150-2H	116	96	145	Rc2"	224	521	365	110	80	250
CP100/150-2H(A)	116	96	145	Rc2"	224	581	365	110	80	250
CPS100/150-2H(A)										
CP100/150-2M	116	96	145	Rc3"	250	533	365	110	80	250
CP100/150-2M(A)	116	96	145	Rc3"	250	593	365	110	80	250
CPS100/150-2M(A)										
CP220/300-2H/M	125	106	165	Rc3"	260	585	388	110	80	250
CP220/300-2H/H(A)	125	106	165	Rc3"	260	630	388	110	80	250
CP220/300-4M	161	147	210	Rc4"	391	670	590	225	105	260
CP220/300-4M(A)	161	147	210	Rc4"	391	715	590	225	105	260
CP400-2H/M	125	106	165	Rc3"	260	615	388	110	80	250
CP400-4M	179	161	243	Rc4"	480	832	643	225	185	400
CP400-4M(A)	179	161	243	Rc4"	480	877	643	225	185	400
CP400-6M	234	179	248	Rc6"	480	964	717	275	185	400
CP550/750-2H	167	137	210	Rc3"	298	792	475	110	105	260
CP550/750-2M/S	179	161	243	Rc4"	428	822	643	225	105	260
CP550/750-4S	179	161	250	Rc6"	564	955	693	275	185	400
CP1100/1500-2H	160	155	245	Rc3"	300	933	560	135	170	380
CP1100/1500-2M	193	162	240	Rc4"	466	990	638	225	170	380
CP1100/1500-4M	236	179	248	Rc6"	547	1055	717	275	185	400
CP1100/1500-4S	236	179	320	Rc8"	/	1065	514	/	185	400
CP1500-8M	448	362	590	Rc12"	/	1375	1000	/	160	/
CP1850/2200-100	240	220	265	Rc4"	507	1310	720	225	185	400
CP1850/2200-150	270	230	300	Rc6"	547	1310	825	275	185	400
CP1850/2200-200	330	300	400	Rc8"	/	1310	715	/	185	400